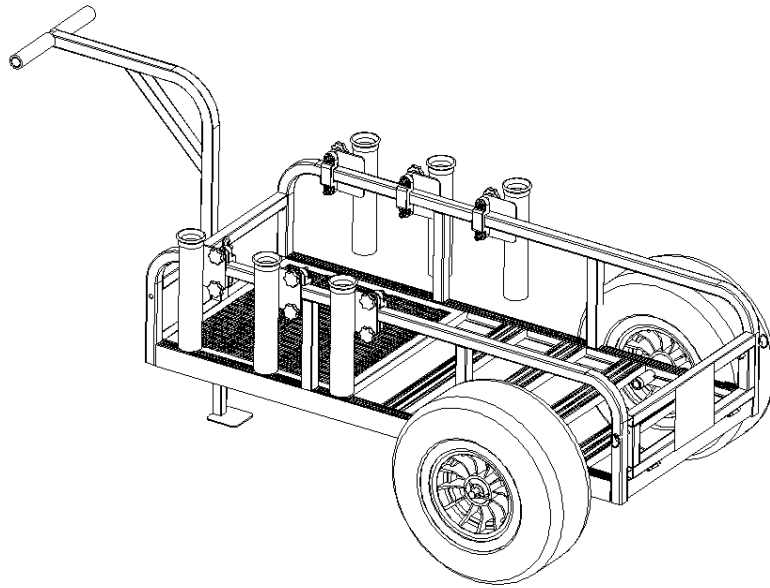
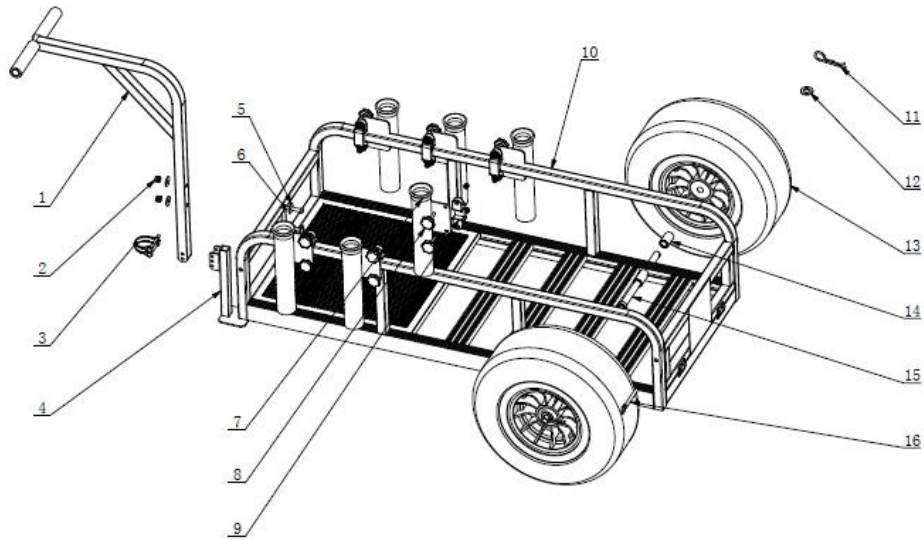


Pier Cart User Manual



Specifications







Overall size (L*W*H)	59.25" X 32.6" X 28"
Frame outer size (L*W*H)	44.5" X 19.5" X 10.4"
Frame inner size (L*W*H)	42.5" X 17.5" X 8.5"
Foam filled tires size	16"x6.5"-8.0"
Rod Holders size (L*Out. Dia.*In. Dia.)	9.6" X 1.9" X 1.8"
Capacity	200 lbs



Parts List

Part#	Description	QTY.	Part#	Description	QTY.
1	Handle	1	9	Rod holder bracket	6
2	Lock nut, M8	2	10	Frame	1
3	D-shape clip	2	11	Cotter pin	2
4	Support leg	1	12	Flat washer, 16 mm	2
5	Bolt, M8-1.25x65	2	13	Wheel	2
6	Flat Washer, 8 mm	4	14	Tube washer	2
7	Fishing rod holder	6	15	Tire Axle	2
8	Bolt w/plastic head, M6-1.0x22	12	16	Pin w/ring	2

Photos for small spare parts

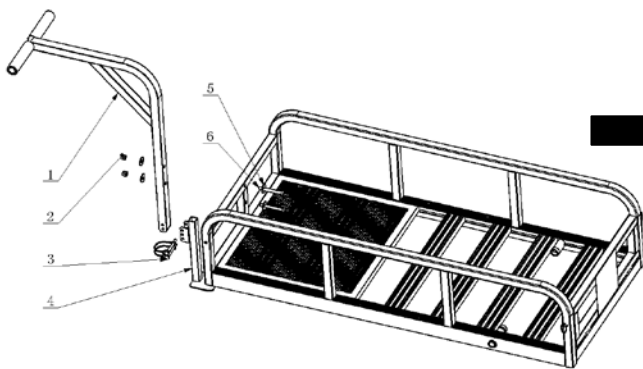
Part#	Description	Photos
2	Lock nut, M8	
5	Bolt, M8-1.25x65	
8	Bolt w/plastic head, M6-1.0x22	
6	Flat Washer, 8 mm	
12	Flat Washer, 16mm	
16	Pin w/ring, (Dia.*L) 8mmx75mm	

Assembly Instructions

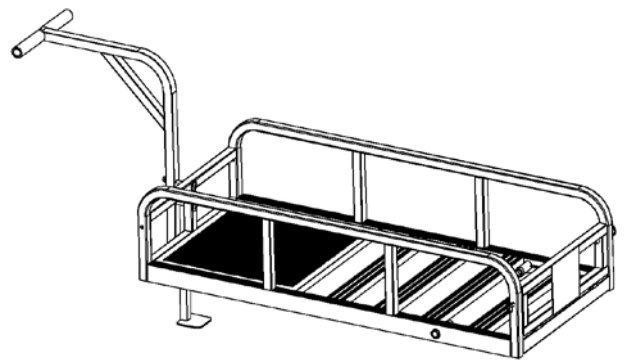
Step 1: Attach the handle (part #1) to the frame (part #10) by using the bolts (part #5) and the washers (part #6). Fasten them by using the lock nuts (part #2).

Step 2: Attach the handle (part #1) to the support leg (part #4) by using D-shape clips (part #3).

Step 1

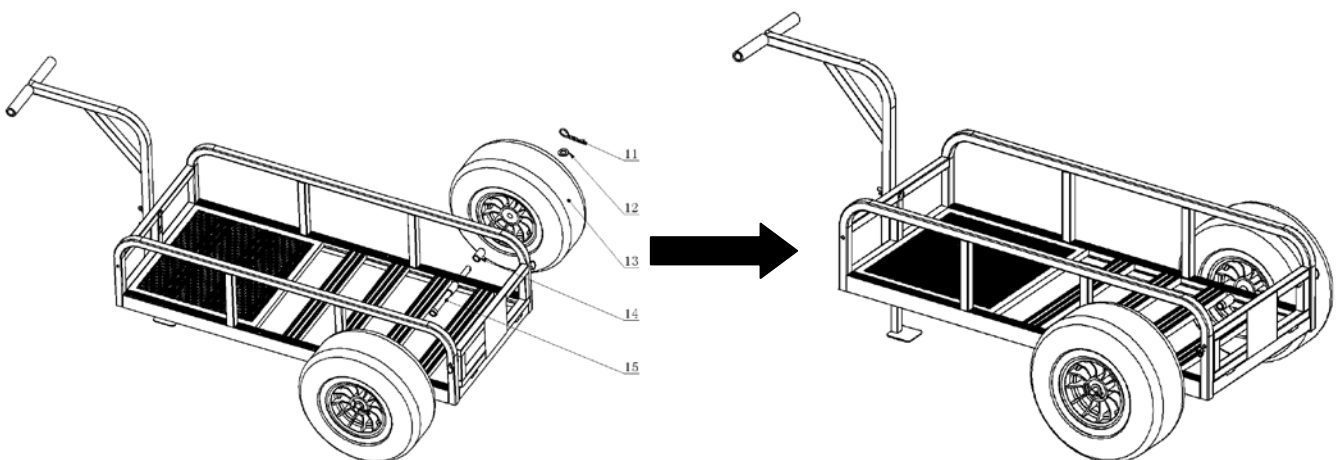


Step 2



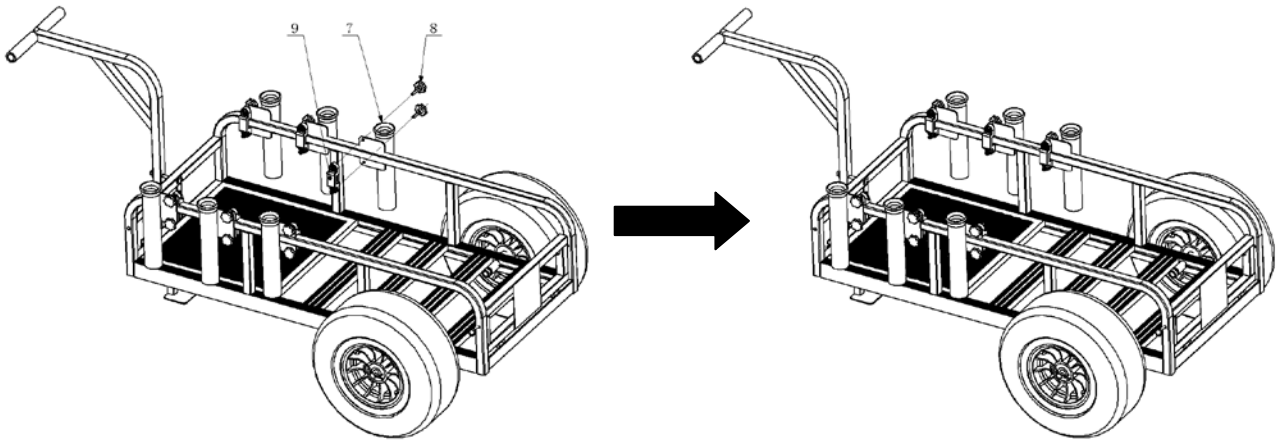
Step 3: Mount the wheels (part #13) with the axles (part #15) by using tube washers (part #14) and flat washers (part #12). Affix them by using the cotter pins (part #11).

Step 3



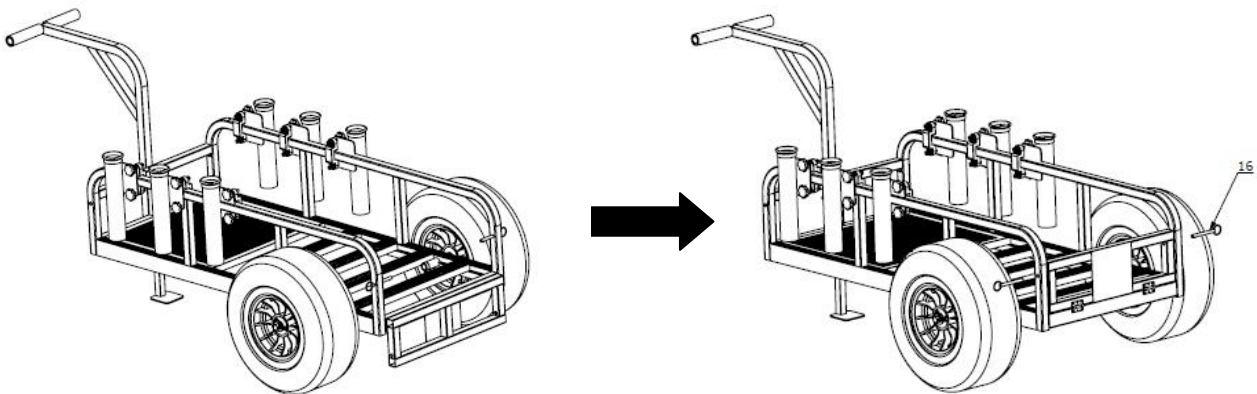
Step 4: Attach the fishing rod holders (part #7) using the rod holder bracket (part #9) and the bolts (part #8). The rod holder and brackets attach to the top tube of the frame.

Step 4



Step 5: Affix the tailgate with the frame by using the pins (part #16).

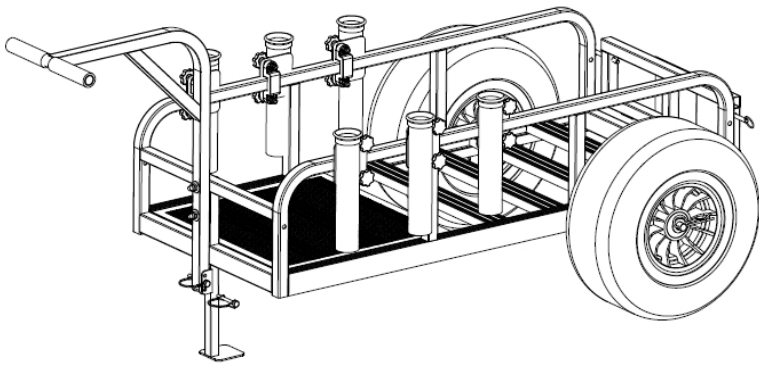
Step 5



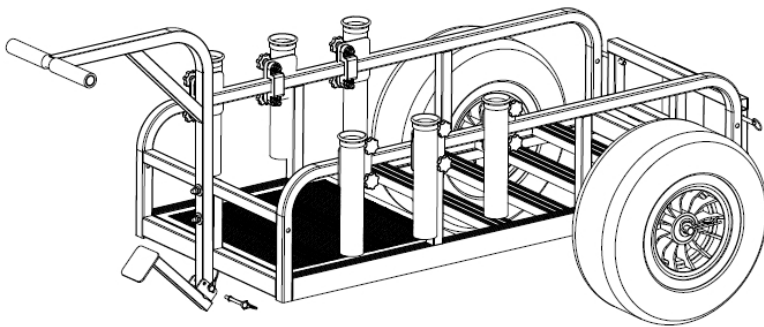
Support Leg Operation Instructions

The support leg can be folded up for storage

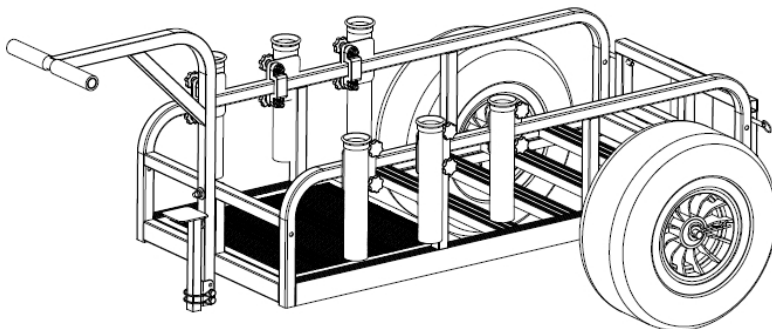
Step 1: Take the upper D-shape clip (part #3) off.



Step 2: Fold the support leg up against the handle



Step 3: Re-affix the upper D-shape clip (part #3) on.



Assembly Tools Recommended:



9/16" wrench or socket